

# PRICE LIST



## Splits Mounting Accessories



[www.klimaimport.de](http://www.klimaimport.de)®





## 01 INSULATED AND LINED COPPER TUBE



### SPECIFICATIONS:

Insulation: Closed cell class self-extinguisable  
 Lining: A compact polyethylene coating with external protection  
 Working temp.: from -45°C to +100°C



Detail of sealed end



Part No.	Size	Wall thickness		€ Roll
		mm	Insulation	
<b>25 metres ROLL</b>				
01 TF 431	1/4"	0.8	9	93.00
01 TF 433	3/8"	0.8	9	147.50
01 TF 434	1/2"	0.8	10	207.50
01 TF 435	5/8"	1	10	306.50
01 TF 438	5/8"	0.8	10	consult
01 TF 436	3/4"	1	10	369.00
01 TF 437	7/8"	1.10	10	607.00
<b>50 metres ROLL</b>				
01 TF 461	1/4"	0.8	9	consult
01 TF 463	3/8"	0.8	9	
01 TF 464	1/2"	0.8	10	
01 TF 467	5/8"	0.8	10	
01 TF 465	5/8"	1	10	
01 TF 466	3/4"	1	10	

**Attention: The prices must be consulted because of the continuous change of the LME (London Metal Exchange).**

## DOUBLE INSULATED AND LINED COPPER TUBE

### SPECIFICATIONS:

Insulation: closed cell class self-extinguisable  
 Lining: a compact polyethylene coating with external protection  
 Working temp.: from -45°C to +100°C



Part No.	Size	Wall thickness				€ / Roll
		Copper		Insulation		
01 TF 411	Tubes 1/4"-3/8"	0.8	0.8	9	9	222.00
01 TF 412	Tubes 1/4"-1/2"	0.8	0.8	9	10	297.00
01 TF 413	Tubes 1/4"-5/8"	0.8	1	9	10	327.00
01 TF 417	Tubes 3/8"-1/2"	0.8	0.8	9	10	
01 TF 418	Tubes 3/8"-5/8"	0.8	0.8	9	10	
01 TF 414	Tubes 3/8"-5/8"	0.8	1	9	10	346.00
01 TF 415	Tubes 3/8"-3/4"	0.8	1	9	10	448.50
01 TF 416	Tubes 1/2"-3/4"	0.8	1	10	10	

### • Double insulated copper tube with flared joint



Flared joint and nut

Part No.	Size	Wall thickness				€ / Roll
		Copper		Insulation		
<b>3 METRES ROLLS</b>						
01 TF 501	Tubes 1/4"-3/8"	0.8	0.8	9	9	51.50
01 TF 502	Tubes 1/4"-1/2"	0.8	0.8	9	10	60.40
01 TF 503	Tubes 1/4"-5/8"	0.8	1	9	10	69.60
01 TF 504	Tubes 3/8"-5/8"	0.8	1	9	10	80.00
01 TF 505	Tubes 3/8"-3/4"	0.8	1	9	10	92.00
<b>5 METRES ROLLS</b>						
01 TF 511	Tubes 1/4"-3/8"	0.8	0.8	9	9	83.10
01 TF 512	Tubes 1/4"-1/2"	0.8	0.8	9	10	89.70
01 TF 513	Tubes 1/4"-5/8"	0.8	1	9	10	105.00
01 TF 514	Tubes 3/8"-5/8"	0.8	1	9	10	123.00
01 TF 515	Tubes 3/8"-3/4"	0.8	1	9	10	140.00

**Attention: The prices must be consulted because of the continuous change of the LME (London Metal Exchange).**



• Insulated tube accessories

Part No.	Item	€
<b>PAINT FOR INSULATION WITH UV PROTECTION</b>		
IA 20 903	1 Kg Can WHITE colour	47.50
<b>INSULATING SELF-ADHESIVE TAPE "WHITE"</b>		
IA 05 995	Ivory-white colour. Rolls of 10 m x 50 mm x 3 mm 12 rolls per box 5 boxes with 12 rolls (60 rolls)	32.00 24.00/ut 20.00/ut
<b>WHITE SELF-ADHESIVE TAPE "PLASTIESC 50"</b>		
AI 09 000	White colour. Rolls of 25 m x 50 mm 48 rolls per box	5.88 5.35/ut

**TF REFRIGERATION COPPER TUBE**



Note: Prices could be modified according to international market quotations, without any previous advice: **CONSULT US**

Part No.	Size	Wall thick. (mm)	Box cont.	Ø Ext. tube (mm)	€/Roll
<b>"EUROPEAN" Norm 12735-1-2001</b>					
<b>• 15 metres Rolls</b>					
01 TF 092	1/4"	0.8	10	6.35	36.00
01 TF 094	3/8"	0.8	6	9.52	54.00
01 TF 095	1/2"	0.8	7	12.70	72.00
01 TF 096	5/8"	0.8	6	15.87	90.00
01 TF 099	5/8"	1	6	15.87	Consult
01 TF 097	3/4"	1	4	19.05	130.50
01 TF 098	7/8"	1	3	22.22	155.00
<b>"OUTOKUMPU" Norm 12735-1-2001</b>					
<b>• 15.25 metres Rolls</b>					
01 TF 142	1/4"	0.8	10	6.35	Consult
01 TF 143	5/16"	0.8	6	-	
01 TF 144	3/8"	0.8	6	9.52	
01 TF 145	1/2"	0.8	7	12.70	
01 TF 146	5/8"	0.8	6	15.87	
01 TF 147	3/4"	1	4	19.05	
01 TF 148	7/8"	1	3	22.22	

**COPPER REFRIGERATION TUBE COILS**



Part No.	Item	Wall (mm)	Aprox. metres	€
<b>25 kgs coils - Norm 12735-1-2001</b>				
01 TF 171	Coil 1/4"	0.80	203	Consult
01 TF 173	Coil 3/8"	0.80	130	
01 TF 174	Coil 1/2"	0.80	95	
01 TF 175	Coil 5/8"	0.80	75	
01 TF 176	Coil 3/4"	1.00	53	
<b>50 m. coils - Norm 12735-1-2001</b>				
01 TF 181	Coil 1/4"	0.80	50	Consult
01 TF 183	Coil 3/8"	0.80	50	
01 TF 184	Coil 1/2"	0.80	50	
01 TF 185	Coil 5/8"	0.80	50	
01 TF 186	Coil 3/4"	1.00	50	

**REFRIGERATION COPPER TUBE BARS**



Note: Prices could be modified according to international market quotations, without any previous

Part No.	Size	Wall thick. (mm)	Ø Ext. tube (mm)	€/mt. lineal
<b>• 5 metres Bars</b>				
<b>RIGID COPPER PIPE (Norm EN 12735-1-2001)</b>				
01 TF 118	3/8"	0.8	9.52	Consult
01 TF 119	1/2"	0.8	12.70	
01 TF 120	5/8"	0.8	15.87	
01 TF 121	5/8"	1	15.87	
01 TF 122	3/4"	1	19.05	
01 TF 123	7/8"	1	22.22	
01 TF 124	1"	1	25.40	
01 TF 125	1-1/8"	1	28.57	
01 TF 126	1-1/8"	1.25	28.57	
01 TF 127	1-3/8"	1.25	34.92	
01 TF 128	1-5/8"	1.25	41.27	
01 TF 028	2-1/8"	1.25	53.97	
01 TF 029	2-5/8"	1.65	66.68	
01 TF 133	3-1/8"	1.65	79.37	
01 TF 134	3-1/8"	2.5	79.37	
01 TF 135	3-5/8"	2.5	92.08	

**TF COPPER FITTINGS FOR AIR CONDITIONING**

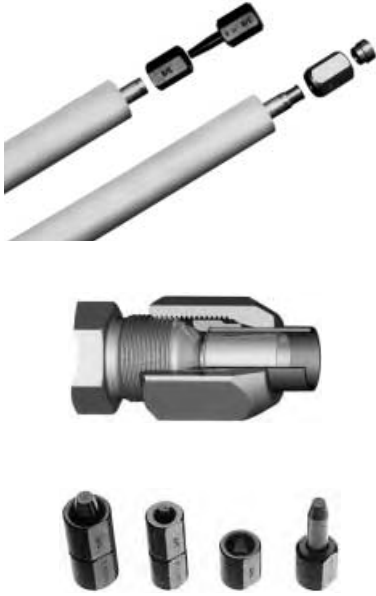
Part No.	Size	Units per box	€
<b>COUPLING SLEEVE FEMALE / FEMALE</b>			
02 TF 001	1/4"	100	0.44
02 TF 002	3/8"	50	0.44
02 TF 003	1/2"	50	0.68
02 TF 004	5/8"	50	0.56
02 TF 005	3/4"	25	1.56
02 TF 006	7/8"	25	1.68
02 TF 012	1"	25	3.28
02 TF 007	1-1/8"	10	2.36
<b>90° ELBOW FEMALE / FEMALE</b>			
02 TF 021	1/4"	50	3.44
02 TF 022	3/8"	50	3.28
02 TF 023	1/2"	50	3.88
02 TF 024	5/8"	50	3.44
02 TF 025	3/4"	50	3.76
02 TF 026	7/8"	25	4.72
02 TF 027	1-1/8"	10	6.80
<b>90° ELBOW FEMALE / FEMALE</b>			
02 TF 041	1/4"	50	1.48
02 TF 042	3/8"	50	1.80
02 TF 043	1/2"	50	1.72
02 TF 044	5/8"	50	1.76
02 TF 045	3/4"	50	2.28
02 TF 046	7/8"	25	2.24
02 TF 047	1-1/8"	10	3.92
<b>45° ELBOW</b>			
02 TF 061	1/4"	50	4.72
02 TF 062	3/8"	50	4.68
02 TF 063	1/2"	50	3.28
02 TF 064	5/8"	50	1.32
02 TF 065	3/4"	50	6.28
02 TF 066	7/8"	25	2.56
02 TF 075	1"	25	13.52
02 TF 067	1-1/8"	10	5.56
<b>180° ELBOW</b>			
02 TF 201	1/4"	25	2.64
02 TF 202	3/8"	25	3.16
02 TF 203	1/2"	50	3.32
02 TF 204	5/8"	25	5.80
02 TF 205	3/4"	10	10.88
02 TF 206	7/8"	10	14.48
<b>FEMALE THREAD-NUT SAE FOR WELDING</b>			
03 TF 201	1/4" SAE to copper 1/4"		7.20
03 TF 202	3/8" SAE to copper 3/8"		8.00
03 TF 203	1/2" SAE to copper 1/2"		8.84
03 TF 204	5/8" SAE to copper 5/8"		12.80
03 TF 205	3/4" SAE to copper 3/4"		16.72
<b>90° ELBOW MALE / FEMALE</b>			
02 TF 163	3/8"	50	3.52
02 TF 164	1/2"	50	2.68
02 TF 165	5/8"	50	1.76
02 TF 166	3/4"	50	4.28
02 TF 167	7/8"	25	2.96
<b>90° ELBOW MALE / FEMALE</b>			
02 TF 182	1/4"	100	5.00
02 TF 183	3/8"	50	4.68
02 TF 184	1/2"	50	8.92
02 TF 185	5/8"	50	6.60
02 TF 186	3/4"	50	7.28
02 TF 187	7/8"	25	7.72

Part No.	Size	Units per box	€
<b>TEE</b>			
02 TF 081	1/4"	100	4.52
02 TF 082	3/8"	50	4.68
02 TF 083	1/2"	50	1.76
02 TF 084	5/8"	50	1.70
02 TF 085	3/4"	25	7.60
02 TF 086	7/8"	25	3.36
02 TF 087	1-1/8"	10	8.40
<b>U-TRAP FEMALE / FEMALE</b>			
02 TF 141	5/8"	1	21.06
02 TF 142	3/4"	1	27.10
02 TF 143	7/8"	1	25.34
02 TF 144	1 1/8"	1	34.50
<b>REDUCER FEMALE / FEMALE</b>			
02 TF 101	3/8x1/4"	50	3.20
02 TF 102	1/2x3/8"	50	1.28
02 TF 103	1/2x1/4"	50	0.73
02 TF 104	5/8x1/2"	50	1.36
02 TF 105	5/8x3/8"	50	1.32
02 TF 106	5/8x1/4"	50	1.36
02 TF 107	3/4x5/8"	50	3.20
02 TF 108	3/4x1/2"	50	3.20
02 TF 109	3/4x3/8"	50	1.60
02 TF 110	7/8x3/4"	50	2.40
02 TF 111	7/8x5/8"	50	1.20
02 TF 112	7/8x1/2"	50	2.40
02 TF 132	1-1/8x1/2"	25	4.26
02 TF 115	1-1/8x3/4"	25	4.12
02 TF 114	1-1/8x3/4"	25	4.12
02 TF 113	1-1/8x7/8"	25	4.12
<b>REDUCER MALE / FEMALE</b>			
02 TF 251	3/8-1/4"	50	1.52
02 TF 252	1/2-3/8"	50	1.84
02 TF 253	1/2-1/4"	50	1.92
02 TF 254	5/8-1/2"	50	1.52
02 TF 255	5/8-3/8"	50	1.52
02 TF 256	3/4-1/2"	50	3.64
02 TF 257	3/4-3/8"	50	3.48
02 TF 258	7/8-3/4"	50	2.24
02 TF 259	7/8-5/8"	50	1.12
02 TF 260	7/8-1/2"	50	2.40
<b>COUPLING SLEEVE WITH SCHRADER VALVE 1/4 SAE AND CAP</b>			
06 TF 051	1/4" x 1/4"		8.92
06 TF 052	5/16" x 5/16"		8.92
06 TF 053	3/8" x 3/8"		8.92
06 TF 054	1/2" x 1/2"		14.28
06 TF 055	5/8" x 5/8"		6.28
06 TF 056	3/4" x 3/4"		7.32
06 TF 057	7/8" x 7/8"		7.32
06 TF 058	1-1/8"x1-1/8"		8.20
<b>CAP FOR TUBE</b>			
02 TF 401	1/4"	50	0.76
02 TF 402	3/8"	50	0.72
02 TF 403	1/2"	50	1.16
02 TF 404	5/8"	50	0.36
02 TF 405	3/4"	50	1.28
02 TF 406	7/8"	25	1.56
02 TF 407	1-1/8"	25	2.40

(\* ) For other fittings and sizes, please see our REFRIGERATION Catalogue



## TF COUPLING CONNECTIONS FOR SPLITS



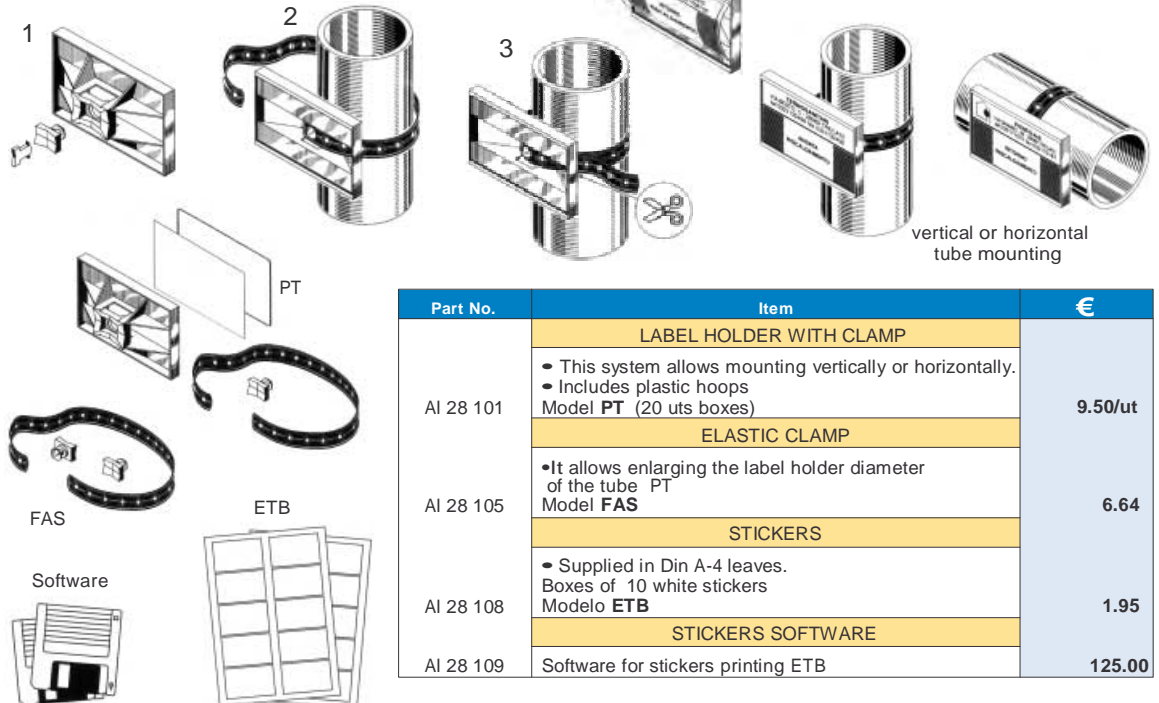
- Without welding
- Direct connection to SAE coupling
- Easy assembly and disassembly
- Low cost
- Meet the EN 378/1 and EN 378/2 standards
- It avoids gas losses by defective welding in inaccessible places



Part No.	Item	Boxes	€
	Whole set 		
<b>«SERTO» COUPLINGS</b>			
03 TF 501	Set 1/4" x 0.8 SAE	10	4.36
03 TF 502	Set 3/8" x 0.8 SAE	10	6.60
03 TF 503	Set 1/2" x 0.8 SAE	10	7.94
03 TF 504	Set 5/8" x 1 SAE	10	11.40
03 TF 505	Set 3/4" x 1 SAE	10	17.60
<b>CALIBRATION TOOL</b>			
03 TF 511	Tool 1/4" x 0.8		76.90
03 TF 512	Tool 3/8" x 0.8		84.80
03 TF 513	Tool 1/2" x 0.8		91.00
03 TF 514	Tool 5/8" x 1		106.00
03 TF 515	Tool 3/4" x 1		117.30

## AI TUBE IDENTIFICATION PLATES

Label holder PT:



Placing the label

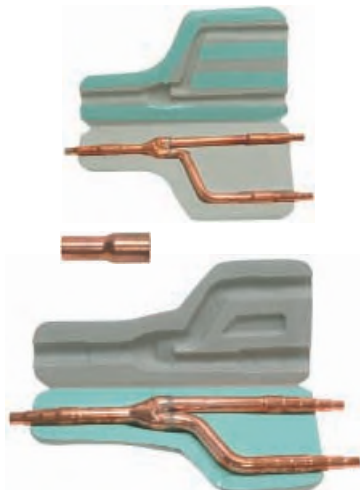
vertical or horizontal tube mounting

Part No.	Item	€
<b>LABEL HOLDER WITH CLAMP</b>		
AI 28 101	<ul style="list-style-type: none"> <li>• This system allows mounting vertically or horizontally.</li> <li>• Includes plastic hoops</li> </ul> Model PT (20 uts boxes)	9.50/ut
<b>ELASTIC CLAMP</b>		
AI 28 105	<ul style="list-style-type: none"> <li>• It allows enlarging the label holder diameter of the tube PT</li> </ul> Model FAS	6.64
<b>STICKERS</b>		
AI 28 108	<ul style="list-style-type: none"> <li>• Supplied in Din A-4 leaves.</li> </ul> Boxes of 10 white stickers Modelo ETB	1.95
<b>STICKERS SOFTWARE</b>		
AI 28 109	Software for stickers printing ETB	125.00

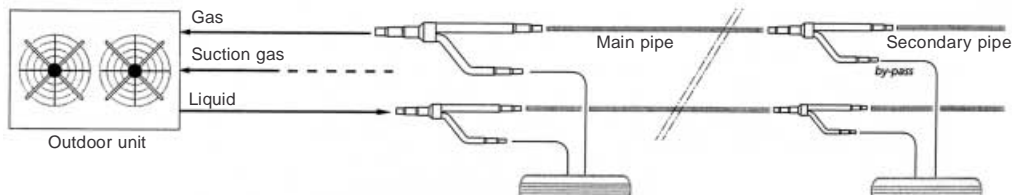
### 03 UNIVERSAL DERIVATION FOR MULTI-SPLITS SYSTEMS



- To be used with new refrigerants.
- Can be cutted according our needs.
- Insolation included.
- Models 30 and 45 content:  
1 for suction, 1 liquid line and 1 adapter.
- Model 90 content:  
1 for suction line, 1 for liquid line and 3 adapters ( 7/8" to 1/4", 1/2" to 1" and 1/4" to 1/2")



Part No.	Item	Ø Suction			Ø Liquid			€
		A	B	C	A	B	C	
03 TF 601	Kit n° 30 + Adapter ( 1" to 7/8")	1/2" to 7/8"	3/8" to 7/8"	3/8" to 3/4"	1/4" to 1/2"			182.00
03 TF 602	Kit n° 45 + Adapter ( 1" to 1-1/8")	5/8" to 1"	1/2" to 1"	1/2" to 7/8"	1/4" to 1/2"			192.00
03 TF 603	Kit n° 90 + Adapters	1-1/8" to 1-1/2"	1" to 1-1/2"	1/2" to 1"	5/8" to 7/8"	1/2" to 7/8"	1/2" to 3/4"	330.00

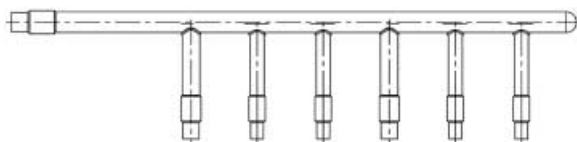


### UNIVERSALS COLLECTOR FOR MULTI-SPLITS SYSTEMS



- To be used with new refrigerants
- Can be cutted according our needs
- Insolation included

Part No.	Item	€
03 TF 604	Collector 5/8" suction-1/2" liquido 4 out both sides	233.00
03 TF 605	Collector 5/8" suction-1/2" liquido 6 out both sides	225.00
03 TF 606	Collector 3/4" suction-3/8" liquido 8 out both sides	270.00



### WAY CHANGE



Part No.	Item	€
	* Joint Male/Female	
03 TF 525	Thread 1/4"-1/4"	5.50
03 TF 526	Thread 3/8"-3/8"	9.10
03 TF 527	Thread 1/2"-1/2"	15.00
03 TF 528	Thread 5/8"-5/8"	18.50

## TF BRASS FITTINGS "SAE"

Part No.	Size	€
<b>NUTS "SAE"</b>		
03 TF 071	1/4" SAE	1.13
03 TF 072	3/8" SAE	2.07
03 TF 073	1/2" SAE	2.75
03 TF 074	5/8" SAE	4.08
03 TF 075	3/4" SAE	9.63
<b>REDUCED NUTS "SAE"</b>		
03 TF 081	3/8"x1/4"	2.52
03 TF 082	1/2"x3/8"	3.75
03 TF 083	5/8"x1/2"	4.59
03 TF 084	3/4"x5/8"	9.85
<b>COPPER JOINTS</b>		
03 TF 191	For tube in 1/4"	0.39
03 TF 192	For tube in 3/8"	0.45
03 TF 193	For tube in 1/2"	0.54
03 TF 194	For tube in 5/8"	0.63
03 TF 195	For tube in 3/4"	1.20
<b>MALE/FEMALE COUPLING "SAE" FOR WELDING</b>		
03 TF 171	1/4"	2.07
03 TF 172	3/8"	3.56
03 TF 173	1/2"	4.56
03 TF 174	5/8"	5.00
03 TF 175	3/4"	8.60
<b>MALE TEE "SAE"</b>		
03 TF 131	1/4"	9.63
03 TF 132	3/8"	18.45
03 TF 133	1/2"	24.53
03 TF 134	5/8"	37.13
03 TF 135	3/4"	56.65
<b>FEMALE THREAD-NUT "SAE" FOR WELDING</b>		
03 TF 201	1/4" SAE to copper 1/4"	8.10
03 TF 202	3/8" SAE to copper 3/8"	9.00
03 TF 203	1/2" SAE to copper 1/2"	9.95
03 TF 204	5/8" SAE to copper 5/8"	14.40
03 TF 205	3/4" SAE to copper 3/4"	18.82

Part No.	Size	€
<b>MALE x MALE NIPPLE "SAE"</b>		
03 TF 091	1/4" SAE	2.03
03 TF 092	3/8" SAE	4.28
03 TF 093	1/2" SAE	6.57
03 TF 094	5/8" SAE	8.18
03 TF 095	3/4" SAE	12.90
<b>MALE/FEMALE ELBOW "SAE"</b>		
03 TF 151	1/4"x1/4"	6.98
03 TF 152	3/8"x 3/8"	8.45
03 TF 153	1/2"x1/2"	12.38
03 TF 154	5/8"x5/8"	15.10
03 TF 155	3/4"x3/4"	33.55
<b>NUTS CUPSEAL</b>		
03 TF 181	For tube 1/4"	0.39
03 TF 182	For tube 3/8"	0.45
03 TF 183	For tube 1/2"	0.54
03 TF 184	For tube 5/8"	0.63
03 TF 185	For tube 3/4"	1.20
<b>DOUBLE FEMALE SWIVEL ADAPTER</b>		
03 TF 281	1/4" x 1/4" SAE	5.40
03 TF 282	3/8" x 3/8" SAE	7.52
03 TF 283	1/2" x 1/2" SAE	9.05
03 TF 284	5/8" x 5/8" SAE	9.95
03 TF 285	3/4" x 3/4" SAE	15.42
<b>REDUCER MALE - FEMALE</b>		
03 TF 120	1/4" x 1/4" SAE	4.46
03 TF 121	1/4" x 3/8" SAE	4.62
03 TF 122	1/4" x 1/2" SAE	6.06
03 TF 119	1/4" x 5/8" SAE	7.25
03 TF 123	3/8" x 1/4" SAE	4.46
03 TF 124	3/8" x 3/8" SAE	5.85
03 TF 118	3/8" x 1/2" SAE	6.60
03 TF 117	3/8" x 5/8" SAE	8.19
03 TF 125	1/2" x 3/8" SAE	8.22
03 TF 116	1/2" x 1/2" SAE	7.55
03 TF 126	1/2" x 5/8" SAE	7.65
03 TF 130	5/8" x 3/8" SAE	7.88
03 TF 127	5/8" x 1/2" SAE	7.77
03 TF 128	5/8" x 3/4" SAE	16.56
03 TF 129	3/4" x 5/8" SAE	17.43

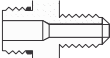
(\*) For other fittings and sizes, please see our REFRIGERATION Catalogue.

## BRASS SCREW-THREAD COUPLINGS

1/4" SAE  1/2" ACME

1/2" ACME  1/4" SAE

1/2" ACME  1/4" SAE

1/4" SAE  1/2" ACME

Part No.	Item	€
* It allows to couple analysers, hoses, charge valves, etc.		
06 TF 231	1/4" SAE female / 1/2" ACME male	4.32
06 TF 232	1/4" SAE male / 1/2" ACME female	14.97
06 TF 233	1/4" SAE female / 1/2" ACME female	13.17
06 TF 234	1/4" SAE male / 1/2" ACME male with joint	4.41

## QUICK CONNECTIONS

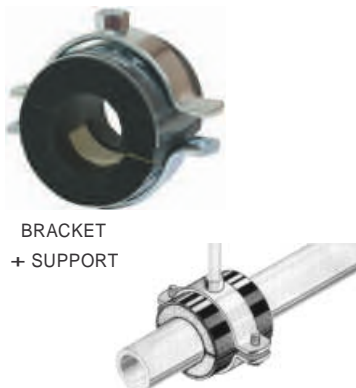
Part No.	Item	Size	€
<b>FEMALE CONNECTOR WITH SERVICE VALVE AND COPPER BELL-SHAPED TUBE</b>			
07 TF 000	FD57 - 1084	4 - 6	37.13
07 TF 002	FD57 - 1084	6 - 6	37.58
07 TF 003	FD57 - 1084	8 - 10	52.13
07 TF 008	FD57 - 1084	10 - 10	52.13
07 TF 005	FD57 - 1084	12 - 11	52.13
07 TF 006	FD57 - 1084	14 - 11	63.45
07 TF 007	FD57 - 1084	18 - 12	93.85



Female connector



## AI INSULATED BRACKETS FOR TUBES



BRACKET  
+ SUPPORT

It safely protects against the condensate formation and reduces the tube support thermal losses, as per DIN 4140, part 2, art. 3, 4.

Part No.	Item	For tubes from ... to ... mm	Dimensions			€
			Plate	Insulation	Nut	
AI 07 401	1/4"	10 - 14	20 x 3	13	M8	12,25
AI 07 402	3/8"	15 - 18	20 x 3	13	M8	12,75
AI 07 403	1/2"	20 - 25	20 x 3	13	M8	13,25
AI 07 404	3/4"	26 - 28	20 x 3	13	M8	13,90
AI 07 405	1"	32 - 35	20 x 3	13	M8	14,95
AI 07 406	1-1/4"	40 - 43	30 x 3	13	M10	25,45
AI 07 407	1-1/2"	48 - 50	30 x 3	13	M10	18,70
AI 07 408	2"	59 - 62	30 x 3	13	M10	22,30
AI 07 409	2-1/2"	75 - 78	30 x 3	19	M10	40,10
AI 07 410	3"	88 - 90	40 x 4	19	F. 1/2"-F.M.12	55,10
AI 07 411	4"	112 - 114	40 x 4	19	F. 1/2"-F.M.12	63,50

## TF HEAVY DUCT PIPE CLAMP WITH EPDM RUBBER M8



Part No.	Size	Units per box	€
04 TF 321	Ø18 (15-19)	50	1.14
04 TF 322	Ø22 (20-25)	50	1.22
04 TF 323	Ø28 (26-30)	50	1.26
04 TF 324	Ø35 (32-36)	50	1.32
04 TF 325	Ø40 (38-43)	25	1.44
04 TF 326	Ø48 (47-51)	25	1.56
04 TF 327	Ø54 (53-56)	25	1.62
04 TF 328	Ø60 (60-64)	25	1.73
04 TF 329	Ø70 (68-72)	25	1.97
04 TF 330	Ø75 (75-80)	25	2.04
04 TF 331	Ø83 (81-86)	25	2.19
04 TF 332	Ø90 (87-92)	25	2.24
04 TF 333	Ø100 (99-105)	25	2.24

## VALVES FOR AIR CONDITIONING



Part No.	Item	€
<b>• 1/4" Plug of VALVE CORE</b>		
06 TF 101	RR.603 1/4"	10.90
06 TF 102	RR.603 3/8"	12.90
06 TF 103	RR.603 1/2"	16.80
06 TF 104	RR.603 5/8"	20.70
06 TF 105	RR.603 3/4"	44.25

## VF STRAIGHT PASS VALVES WHEEL



STRAIGHT PASS  
VALVES WHEEL

Part No.	Item	€	
01 VF 301	CT-D-04	1/4" SAE	16.25
01 VF 302	CT-D-06	3/8" SAE	16.25
01 VF 303	CT-D-08	1/2" SAE	20.70
01 VF 304	CT-D-10	5/8" SAE	26.00
01 VF 305	BL - 6 F	3/4" SAE	45.45
01 VF 351	CT-D-04S	1/4" ODS	16.25
01 VF 352	CT-D-06S	3/8" ODS	16.25
01 VF 353	CT-D-08S	1/2" ODS	20.70
01 VF 354	CT-D-10S	5/8" ODS	26.00
01 VF 355	BL - 6 S	3/4" ODS	45.45
01 VF 356	BL - 7 S	7/8" ODS	48.60

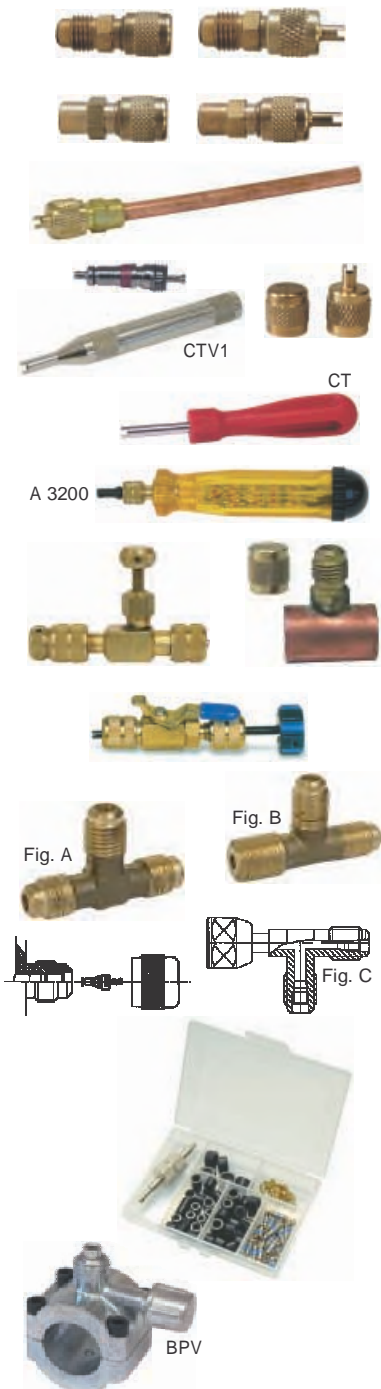
## TF LOADING VALVES AND ACCESSORIES

### • Valve cores

Part No.	Item	€
<b>THREAD SERVICE VALVE</b>		
06 TF 002	1/4" SAE thread with normal cap	2.36
06 TF 032	1/4" SAE thread with cap with key	2.73
<b>SOLDERING SERVICE VALVE</b>		
06 TF 000	1/4" soldering without cap and valve core	0.83
06 TF 001	1/4" soldering with normal cap	1.25
06 TF 031	1/4" soldering with cap with key	1.45
<b>SOLDERING SERVICE VALVE WITH TUBE</b>		
06 TF 009	1/4" Soldering with 45 mm tube. Cap	1.95
06 TF 010	1/4" Soldering with 100 mm tube. Cap	2.40
06 TF 011	5/16" Soldering with 45 mm tube. Cap	2.10
<b>VALVE CORE SPARE</b>		
06 TF 005	Valve core spare	0.33
<b>CAPS</b>		
06 TF 181	Knurl cap 1/4"	0.78
06 TF 182	Knurl cap 1/4" with key-tool to dismount valve core	1.28
<b>TOOLS TO EXTRACT VALVE CORES</b>		
06 TF 021	Mini valve key-tool	3.30
06 TF 025	Metallic key-tool CTV1	8.65
06 TF 022	Valve key-tool with handle CT	3.75
06 TF 023	Valve core tool screwer A 3200	22.25
06 TF 024	Valve core separator without charge loose	145.35
06 TF 026	Valve core separator without charge loose R410 (5/16")	127.80
06 TF 027	Valve core separator with closing valve	48.30
<b>JOINING SLEEVE WITH VALVE CORE AND CAP</b>		
<b>• Valve core 1/4 SAE</b>		
06 TF 051	1/4" x 1/4" ODS	6.69
06 TF 052	5/16" x 5/16" ODS	6.69
06 TF 053	3/8" x 3/8" ODS	6.69
06 TF 054	1/2" x 1/2" ODS	10.73
06 TF 055	5/8" x 5/8" ODS	4.71
06 TF 056	3/4" x 3/4" ODS	5.50
06 TF 057	7/8" x 7/8" ODS	5.502
06 TF 058	1-1/8" x 1-1/8" ODS	6.15
<b>MALE T COUPLING FOR VALVE CORE</b>		
06 TF 007	1/4" NPT x 1/4" charge x 1/4" SAE	4.35
06 TF 003	1/8" NPT x 1/4" charge x 1/4" SAE <span style="float: right;">Fig. A</span>	4.35
06 TF 008	1/4" SAE x 1/4" charge x 1/4" SAE <span style="float: right;">Fig. B</span>	4.35
06 TF 017	1/4" SAE revolving x 1/4" charge x 1/4" charge <span style="float: right;">Fig. C</span>	13.95
06 TF 015	1/4" SAE male x 1/4" SAE revolving x 1/4" charge	6.85
<b>VALVE CORE-JOINT SET. Ref. 4000</b>		
06 TF 028	Mounting kit composed of: 1 valve to dismount and replace valve cores 20 valve cores 20 1/4" SAE rubber joints 20 5/16" SAE rubber joints 10 hose depressors 5 3/8" empty hose joints	46.30

### • Charge and intervention valves

Part No.	Item	€
<b>• It allows to charge or Size the pressure in any point of the system</b>		
<b>VALVES WITH FLANGE «BPV»</b>		
06 TF 121	BPV - 21 for 1/2" and 5/8"	9.35
06 TF 122	BPV - 31 for 1/4", 5/16" and 3/8"	7.60
06 TF 123	BPV - 36 for 3/16"	8.70
06 TF 124	BPV - 34 for 3/4"	45.30
06 TF 125	BPV - 78 for 7/8"	45.30



## IA TUBULAR INSULATION ROLL (M1 Class)

*Isocell*®

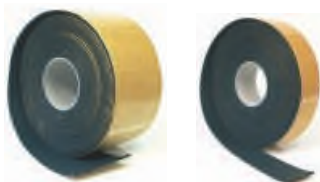


**SUPER FLEXIBLE**  
 $\mu$  5.000

Part No.	Item					Lineal metre €	Full box €
	Ref.	Ø Nom.	Ø Copper	Ø Iron	Box cont.		
<b>6 mm THICKNESS (D)</b>							
IA 04 001	6 x 6	6	1/4"	—	496	0.84	0.82
IA 04 002	10 x 6	10	3/8"	—	364	0.98	0.92
IA 04 003	12 x 6	12	1/2"	—	316	1.11	1.05
IA 04 004	15 x 6	15	5/8"	—	266	1.31	1.25
IA 04 005	18 x 6	18	3/4"	3/8"	220	1.44	1.38
IA 04 006	22 x 6	22	7/8"	1/2"	180	1.61	1.55
IA 04 007	25 x 6	25	1"	—	152	2.07	1.97
IA 04 008	28 x 6	28	1-1/8"	3/4"	130	2.34	2.24
<b>9 mm THICKNESS (F)</b>							
IA 04 021	6 x 9	6	1/4"	—	352	1.38	1.31
IA 04 022	10 x 9	10	3/8"	—	266	1.46	1.40
IA 04 023	12 x 9	12	1/2"	—	234	1.58	1.49
IA 04 024	15 x 9	15	5/8"	—	192	1.85	1.77
IA 04 025	18 x 9	18	3/4"	3/8"	166	2.00	1.89
IA 04 026	22 x 9	22	7/8"	1/2"	136	2.22	2.12
IA 04 027	25 x 9	25	1"	—	108	2.49	2.37
IA 04 028	28 x 9	28	1-1/8"	3/4"	98	3.02	2.88
<b>13 mm THICKNESS (F)</b>							
IA 04 052	10 x 13	10	3/8"	—	172	2.48	2.34
IA 04 053	12 x 13	12	1/2"	—	162	2.54	2.40
IA 04 054	15 x 13	15	5/8"	—	136	2.84	2.69
IA 04 055	18 x 13	18	3/4"	3/8"	118	3.11	2.94
IA 04 056	22 x 13	22	7/8"	1/2"	98	3.32	3.18
IA 04 057	25 x 13	25	1"	—	80	3.68	3.47
IA 04 058	28 x 13	28	1-1/8"	3/4"	78	4.28	4.07
<b>19 mm THICKNESS (F)</b>							
IA 04 071	10 x 19	10	3/8"	—	98	4.19	3.98
IA 04 072	12 x 19	12	1/2"	—	88	4.00	4.26
IA 04 073	15 x 19	15	5/8"	—	78	5.82	5.52
IA 04 074	18 x 19	18	3/4"	3/8"	72	6.35	6.05
IA 04 075	22 x 19	22	7/8"	1/2"	64	6.77	6.46
IA 04 076	25 x 19	25	1"	—	50	6.98	6.62
IA 04 077	28 x 19	28	1-1/8"	3/4"	48	7.85	7.49

For other sizes and thickness, please see our "MERCALLAMENT" INSULATION CATALOGUE

## ACCESSORIES



### • Insulating self-adhesive tape

Part No.	Item	Box content	€/Roll
IA 05 991	• Rolls of 10 mt x 50 mm x 3 mm Tape ISOCELL Full box: 24 rolls	24	24.00 21.00
IA 05 992	• Rolls of 10 mt x 100 mm x 3 mm Tape ISOCELL Full box: 12 rolls	12	52.95 46.29
IA 05 993	• Rolls of 15 mt x 50 mm x 3 mm BLACK tape	12	30.90
IA 05 994	• Rolls of 30 mt x 50 mm x 3 mm BLACK tape	10	62.90
IA 05 995	• Rolls of 10 mt x 50 mm x 3 mm Tape WHITE, ivory colour Compleat box (12 rolls)	12 12	24.00 21.00

### • Glue

Part No.	Item	€
AI 20 000	0,5 kg Can of glue	5.64
AI 20 001	1 kg Can of glue	10.26

### • Dissolvent

Part No.	Item	€
AI 20 051	• It is a product for cleaning tools, brushes or possible stains 1 lt Can of dissolvent	18.00

### • Insulating paint

Part No.	Item	€
IA 20 901	Can 1 Kg GREY	35.65
IA 20 902	Can 1 Kg BLUE	35.65
IA 20 903	Can 1 Kg WHITE	35.65



## IA ROLL OF TUBULAR INSULATION



### • Insulation boxes



Easiness of transport in all kind of vehicles



Part No.	Item	Internal diameter			BOX cont.	€ BOX
		mm	Copper	Iron		
<b>6 mm THICKNESS</b>						
IA 04 901	6 x 6	6	1/4"	-	50	49.50
IA 04 902	10 x 6	10	3/8"	-	46	49.50
IA 04 903	12 x 6	12	1/2"	-	40	49.50
IA 04 904	15 x 6	15	5/8"	-	38	49.50
IA 04 905	18 x 6	18	3/4"	3/8"	30	49.50
IA 04 906	22 x 6	22	7/8"	1/2"	23	49.50
IA 04 907	28 x 6	28	1-1/8"	3/4"	20	49.50
<b>9 mm THICKNESS</b>						
IA 04 911	6 x 9	6	1/4"	-	40	49.50
IA 04 912	10 x 9	10	3/8"	-	34	49.50
IA 04 913	12 x 9	12	1/2"	-	31	49.50
IA 04 914	15 x 9	15	5/8"	-	27	49.50
IA 04 915	18 x 9	18	3/4"	3/8"	23	49.50
IA 04 916	22 x 9	22	7/8"	1/2"	19	49.50
IA 04 917	28 x 9	28	1-1/8"	3/4"	14	49.50
<b>13 mm THICKNESS</b>						
IA 04 921	6 x 13	6	1/4"	-	26	49.50
IA 04 922	10 x 13	10	3/8"	-	23	49.50
IA 04 923	12 x 13	12	1/2"	-	18	49.50
IA 04 924	15 x 13	15	5/8"	-	17	49.50
IA 04 925	18 x 13	18	3/4"	3/8"	15	49.50
IA 04 926	22 x 13	22	7/8"	1/2"	14	49.50
IA 04 927	28 x 13	28	1-1/8"	3/4"	10	49.50

Using temperature: -40°C to +105°C  
 Thermic conductivity:  $\lambda$ . 0°C = 0,035 W/(m.K)  
 Tightness factor: M > 7000  
 Fire resistance: M1

### • Insulating rolls and sheets



Part No.	Item	BOX Cont.	€/m <sup>2</sup>
<b>SHEET M1</b>			
AI 04 361	PL 06 (2000 x 1000)	48	18.35
AI 04 362	PL 10 (2000 x 1000)	32	23.40
AI 04 363	PL 13 (2000 x 1000)	24	29.45
AI 04 364	PL 19 (2000 x 1000)	16	45.30
<b>M1 ROLL</b>			
AI 04 371	R 06 (30 x 1 m)	30	18.35
AI 04 372	R 10 (20 x 1 m)	20	23.40
AI 04 373	R 13 (14 x 1 m)	14	29.45
AI 04 374	R 19 (10 x 1 m)	10	45.30

## ADHESIVE TAPES



PLASTIESC



ALUESC

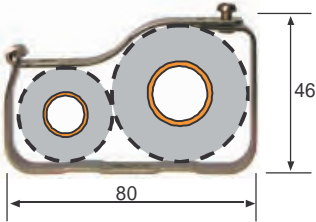
Part No.	Item	Rolls x box	€/unit
<b>TAPE PVC</b>			
AI 09 001	PLASTIESC 50 white (roll 25 m x 50 mm)	48	4.41
AI 09 001	PLASTIESC 50 black (roll 25 m x 50 mm)	48	4.32
AI 09 002	PLASTIESC 50 gray (roll 25 m x 50 mm)	48	4.32
	Order of 48 rolls (1 box)		4.00
	Order of 96 rolls (2 boxes)		3.75
	Order of 240 rolls (5 boxes)		3.29
<b>ALUMINIUM TAPE</b>			
AI 09 005	ALUESC 50 (roll 50 m x 50 mm)	24	11.85
	Order of 5 rolls		10.38
	Order of 24 rolls (1 box)		8.78
	Order of 48 rolls (2 boxes)		7.80
	Order of 120 rolls (5 boxes)		6.92
AI 09 006	ALUESC 65 (roll 50 m x 65 mm)	20	13.11
	Order of 20 rolls (1 box)		11.22
	Order of 40 rolls (2 boxes)		9.75
	Order of 100 rolls (5 boxes)		8.78
	Order of 200 rolls (10 boxes)		7.88
AI 09 011	ALUESC 75 (roll 50 m x 75 mm)	16	10.08
	Order of 16 rolls (1 box)		15.15
	Order of 32 rolls (2 boxes)		10.88
	Order of 80 rolls (5 boxes)		10.31
	Order of 160 rolls (10 boxes)		9.38

**!VERY IMPORTANT!**  
 Our roll length is **50 meters**  
**TAKE CARE OF OTHER SUPLIERS**  
 ( 50 Yards = 45 meters)

## TF FIXING SYSTEMS FOR INSULATED PIPES



Tipo 4

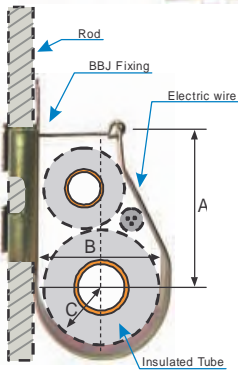


### • Wall fixing

Part No.	Model	Box units	€
	<ul style="list-style-type: none"> <li>Chromium-plated with 8 microns</li> <li>Drilling fixing on base</li> </ul>		
<b>"GRIP LOCKS"</b>			
04 TF 151	<b>Type 1</b> (54 x 30 mm) pipe size 1/4" liquid up to 1/2" gas	10	<b>2.06</b>
04 TF 152	<b>Type 2</b> (60 x 32 mm) pipe size 3/8" liquid up to 5/8" gas	10	<b>2.15</b>
04 TF 153	<b>Type 3</b> (67 x 37 mm) pipe size 1/2" liquid up to 7/8" gas	10	<b>2.31</b>
04 TF 154	<b>Type 4</b> (80 x 46 mm) pipe size 5/8" liquid up to 1-1/8" gas	10	<b>2.48</b>

## HANGER FOR INSULATED PIPES

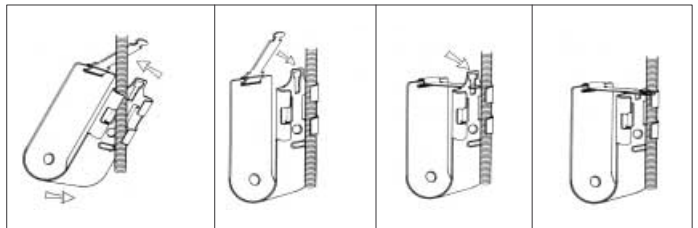
### • Of threaded bar



Dimensions (mm)

75	55	35
87	62	35
100	70	35

Part No.	Model	For pipes	Box units	€
	<ul style="list-style-type: none"> <li>Chromium-plated with 8 microns</li> <li>For use on threaded bar M8, M10</li> </ul>			
04 TF 161	<b>BBJ-2</b>	5/8" and 3/8"	10	<b>3.42</b>
04 TF 162	<b>BBJ-3</b>	7/8" and 1/2"	10	<b>3.48</b>
04 TF 163	<b>BBJ-4</b>	1-3/8" and 5/8"	10	<b>3.56</b>



## ANTI-CONDENSATION TAPE FOR REFRIGERATION



Code No.	Article	€
IA 10 206	<ul style="list-style-type: none"> <li>Preformed ribbon made from bituminous resin and cork</li> <li>Work temperature: -30 to +80° C</li> <li>Protected with silicone paper</li> </ul> 8.5 mts x 50 mm x 3 mm roll	14.40



## AV ANTIVIBRATION DAMPERS

Part No.	Item	Thread	Load Kgr.	€
<b>THREADED BARS ON BOTH SIDES</b>				
AV 01 000	A 20	M6	12	1.80
AV 01 005	A 28/20 with 20-30 mm threaded bar	M8	25	1.80
AV 01 001	A 35b	M8	30	1.08
AV 01 002	• 100 units			0.86/ut
	A 35	M8	50	1.08
	• 100 units			0.86/ut
AV 01 006	• 250 units			0.75/ut
	• 500 units			0.63/ut
	Antivibration A35 black "INOX"	M8	50	1.50
AV 01 003	A 45	M8	85	1.80
	• 50 units			1.50/ut
	• 100 units			1.15/ut
AV 01 004	• 250 units			0.90/ut
	A 6045	M10	250	6.33
	<b>FLAT WITHOUT THREADED BARS CONIC STEM</b>			
AV 01 008	A 25	M8	45	2.79
AV 01 010	A 30	M8	80	3.03
AV 01 011	A 60	M10	150	7.38
AV 01 012	A 70	M12	350	14.88
AV 01 013	A 90	M12	850	15.00
AV 01 014	A 130	M16	1,500	41.10
<b>SURFACE WITH THREADED BARS AND NUTS</b>				
AV 01 020	S 40	M8	20 to 45	1.80
	• 50 units			1.50/ut
	• 100 units			1.20/ut
AV 01 021	• 250 units			0.90/ut
	S 60	M10	80 to 150	3.75
	• 50 units			3.00/ut
AV 01 022	• 100 units			2.25/ut
	• 250 units			1.80/ut
	S 70	M12	120 to 350	7.05
AV 01 023	S 90	M12	450 to 850	11.85
AV 01 024	S 120	M16	950 to 1,500	21.98
AV 01 025	S 160	M16	1,000 to 1,750	53.25
<b>COMPLETE WITH BOLTS, WASHERS AND NUTS FOR OUTSIDE</b>				
AV 01 018	ANTI (stainless AISI 304)	M8	35	7.47
AV 01 028	ANTI-1 (galvanized steel)	M8	35	3.33
<b>FIXING PLATE SURFACE WITH THREADED BAR</b>				
AV 01 031	A 35 / B	M8	12 to 50	2.93
AV 01 032	A 45 / B	M8	20 to 85	3.74
<b>NEOPRENO FLOOR FIXING ANTIVIBRATOR</b>				
AV 02 546	VC NRM-300	M10	100-300	16.68
AV 02 547	VC NRM-500	M12	400-500	27.53
AV 02 548	VC NRM-1000	M12	600-1000	41.21
<b>LOW PROFILE SURFACE AND GREAT DIAMETER OF SUPPORT "LONG BENCH"</b>				
<b>• With fixing claws to the ground</b>				
AV 01 321	B085/45	M8	15 a 45	9.15
AV 01 322	B105/45	M10	25 a 75	11.78
AV 01 323	B105/60	M10	50 a 160	12.21
AV 01 324	B155/60	M14	90 a 300	24.45
AV 01 325	B205/45	M18	150 a 500	39.00

## RUBBER PADS

Part No.	Item	Load Kg	€
<b>PLATE OF RUBBER/CORK/RUBBER (22 mm.)</b>			
AV 01 231	50 x 50 x 22	75	1.32
AV 01 232	75 x 75 x 22	175	3.12
AV 01 233	100 x 100 x 22	315	4.88
AV 01 234	150 x 150 x 22	700	10.45
AV 01 237	457 x 457 x 22	6000	97.50
<b>RUBBER PLATES FOR CUTTING</b>			
AV 01 201	300 x 300 x 8	1000	11.67
AV 01 203	400 x 400 x 12	2000	19.14
AV 01 204	50 x 50 x 12	31	1.13
AV 01 205	75 x 75 x 12	70	1.65
AV 01 206	100 x 100 x 12	125	2.10
AV 01 207	150 x 150 x 12	280	5.93

[www.klimaimport.de](http://www.klimaimport.de)®



Klimaimport.de

Vehlener Str. 6-10, 31683 Obernkirchen

Tel +49 (0)5724 95848 20

Fax +49 (0)5724 95848 29

e-mail: [info@klimaimport.de](mailto:info@klimaimport.de)

Supplies for Air Conditioning, Ventilation, Heating,  
Refrigeration and Insulation Installations